

Ergonomic grip **Hanging hole**

Brass tip

Avoid damage to expensive equipment

Knurled tip

Enables easy tip interchange

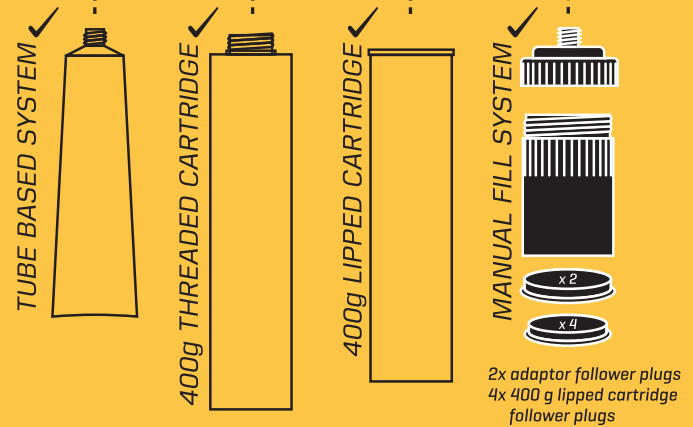
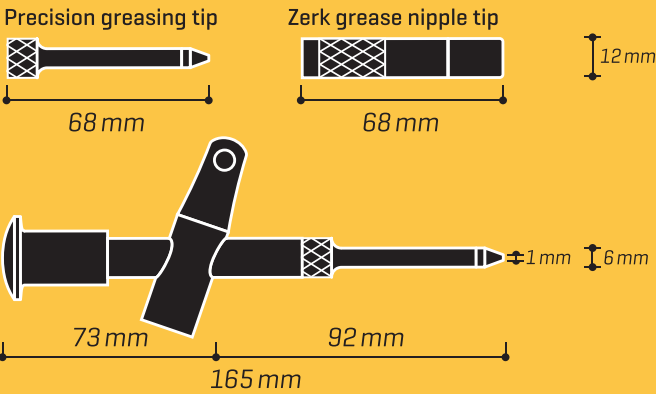
High quality precision lubrication tool

- No leaking
- Precision greasing
- Grease saving
- Check valve
- Get to hard-to-reach points
- Powder coated finish
- Easy one handed action

VERSATILE ADAPTOR SYSTEM*



Interchangeable tips:



Description	Specifications
Max Delivery Pressure	1,450 psi [100 Bar]
Delivery Rate	0.009 oz [0.27 ml] per stroke
Grease Compatibility	NLGI consistency numbers 0, 1 and 2
Cartridge Compatibility	400 g Lipped/threaded cartridge/150ml tube or manual fill
Tube Thread Compatibility	M15 x 1.5 or 9/16" UNF
Attachments	Precision greasing tip and Zerk grease nipple tip
Weight	2.5 oz [71 g]
Pump Activation	Manual hand plunger
Patents	*GB1814602.7 [others on application]